
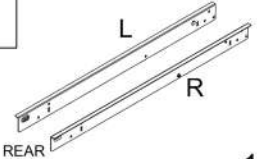
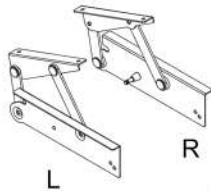



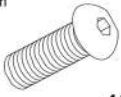




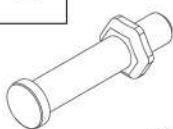
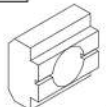



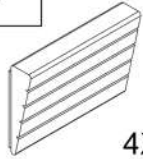
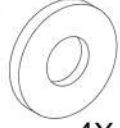

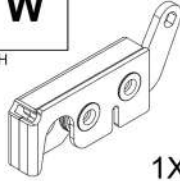
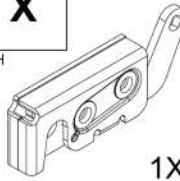




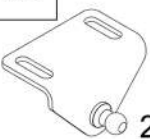

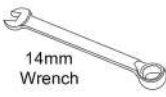




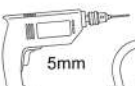
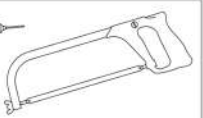


UpStoneEvolve

INSTALLATION INSTRUCTIONS K408

TOYOTA HILUX REVO 2016+

<p>A</p>  <p>1X</p>	<p>B</p>  <p>REAR</p> <p>L</p> <p>R</p> <p>1X</p>	<p>C</p>  <p>L</p> <p>R</p> <p>1X</p>	<p>D</p>  <p>2X</p>		
<p>E</p>  <p>2X</p>	<p>F</p>  <p>4X</p>	<p>G</p>  <p>M8x25mm</p> <p>4X</p>	<p>H</p>  <p>M8 x16 Stainless Steel Washer</p> <p>6X</p>	<p>I</p>  <p>2X</p>	<p>J</p>  <p>M8 Nylock</p> <p>4X</p>
<p>K</p>  <p>M8 Stainless Steel Spring Washer</p> <p>2X</p>	<p>L</p>  <p>2X</p>	<p>M</p>  <p>2X</p>			<p>P</p>  <p>M6x18</p> <p>16X</p>
<p>Q</p>  <p>M6x13mm Zinc</p> <p>12X</p>	<p>R</p>  <p>M6x10mm</p> <p>12X</p>	<p>T</p>  <p>4X</p>		<p>U</p>  <p>M10x24mm</p> <p>4X</p>	<p>V</p>  <p>M8 x16 Zinc Washer</p> <p>8X</p>
<p>W</p>  <p>RH</p> <p>1X</p>	<p>X</p>  <p>LH</p> <p>1X</p>	<p>Y</p>  <p>M5 Cable Bolt, Washer & Dome Nut</p> <p>2X</p>	<p>Z</p>  <p>2X</p>	<p>AA</p>  <p>2X</p>	
<p>AB</p>  <p>1X</p>	<p>AC</p>  <p>2X</p>	<p>Note 1: If at any stage of installation you find your sportlid to be an unacceptable fit please contact the manufacturer before continuing.</p> <p>Note 2: If required, use Under Rail Bed Liner only. NOT FOR USE WITH OVER RAIL BED LINER!</p> <p><u>Tools Required:</u></p>  <p>4mm & 5mm Hex Key</p>  <p>14mm Wrench</p>    <div style="border: 1px solid black; padding: 5px; margin-top: 10px;"> <p>OPTIONAL</p>    </div>			

<p>Fitting Kit Number</p> <p>K408</p>	<p>Product</p> <p>Upstone Lid</p>	<p>Revision</p> <p>1</p>	<p>Date</p> <p>10-09-2013</p>	<p>Page</p> <p>1 of 7</p>
---------------------------------------	-----------------------------------	--------------------------	-------------------------------	---------------------------

1

Remove ladder rack

Note 2: If required, use Proform Under Rail Bed Liner only. Not for use with Over Rail Bed Liner.

Follow guide lines to trim liner in front corners.

2

$\alpha 1$
 $\alpha 2$
 $\alpha 3$
 $\alpha 4$

T 4X

Vehicle Model	α
Toyota Hilux Revo 2016+ double & extra cab	2

3

4

110mm

70mm

B

T 4X

L **K** **H** **M**

B **M** **L**

FINGER TIGHTEN ONLY

5

Place front of side mounting brackets back from inside corners of the cargo box - See table for measurement

β -See Table

φ -See Table for hole selection

MAX TORQUE SETTING = 8.5Nm OR 6.3 Ft/Pounds

Vehicle Model	β	δ	φ
Toyota Hilux Revo 2016+ double & extra cab	67mm	4	3

B 2X

F 2X

H 2X

G 2X

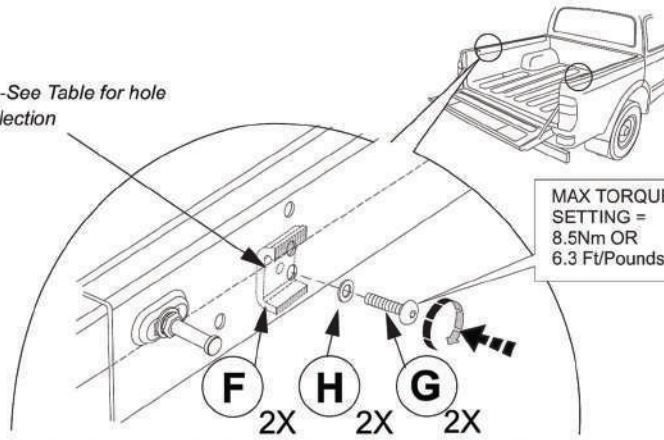
$\delta 1$ $\delta 2$ $\delta 3$ $\delta 4$

$\varphi 1$ $\varphi 2$ $\varphi 3$ $\varphi 4$ $\varphi 5$ $\varphi 6$ $\varphi 7$

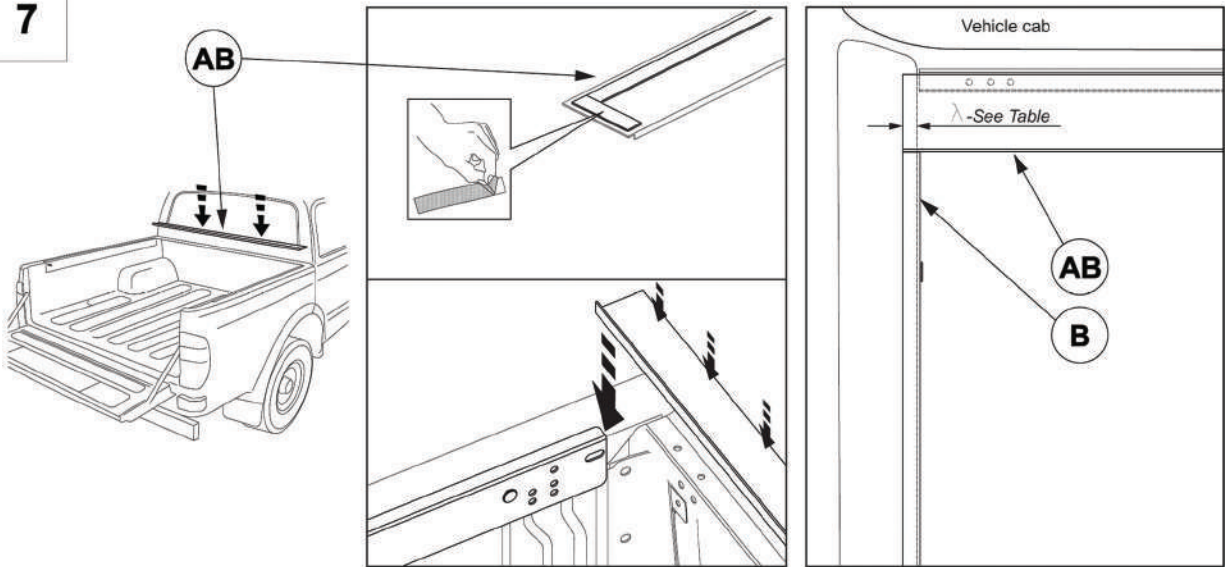
Fitting Kit Number	Product	Revision	Date	Page
K408	Upstone Lid	1	01.07.2016	2 of 7

6

δ -See Table for hole selection



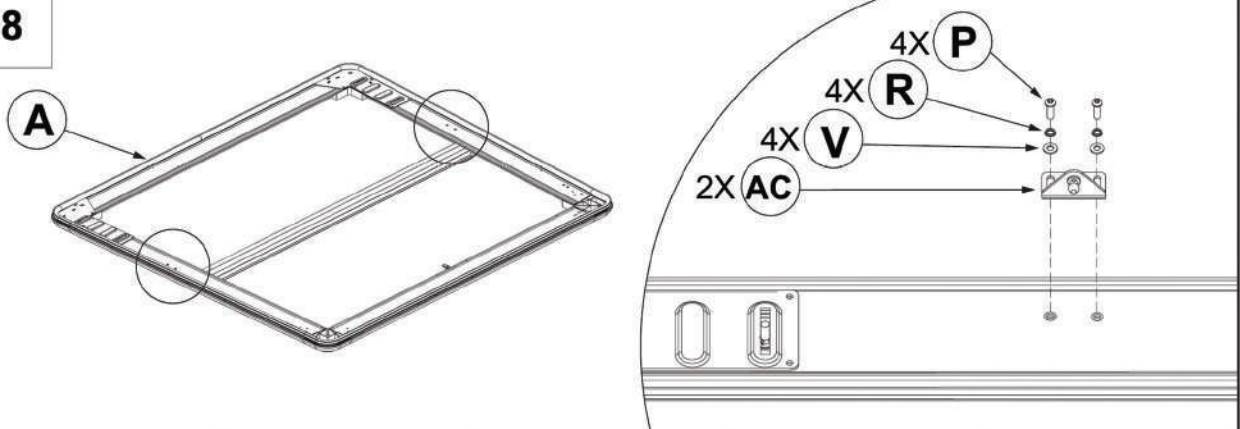
7



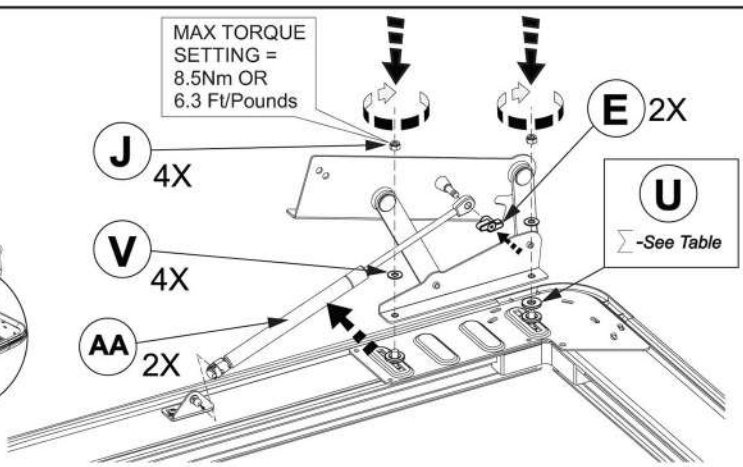
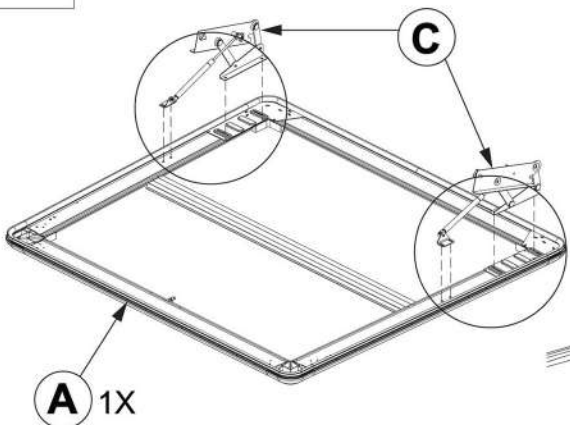
Vehicle Model	λ
Toyota Hilux Revo 2016+ Double & Extra cab	34mm

! DO NOT apply below 15°C.
Apply pressure to part. Adhesive is pressure activated.
Allow 3hrs minimum to cure before installing lid

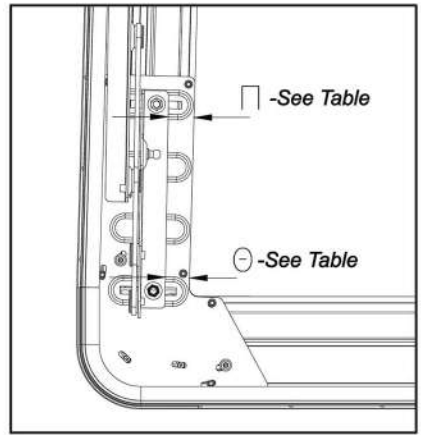
8



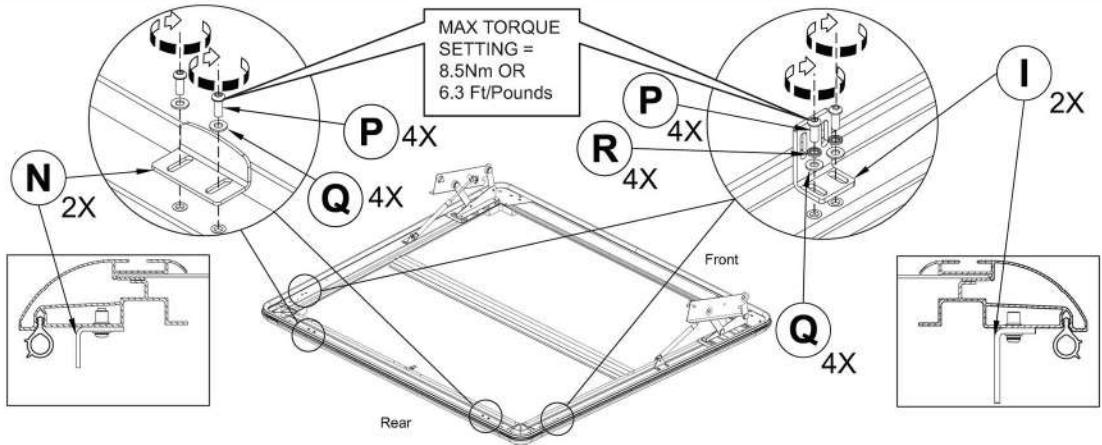
9



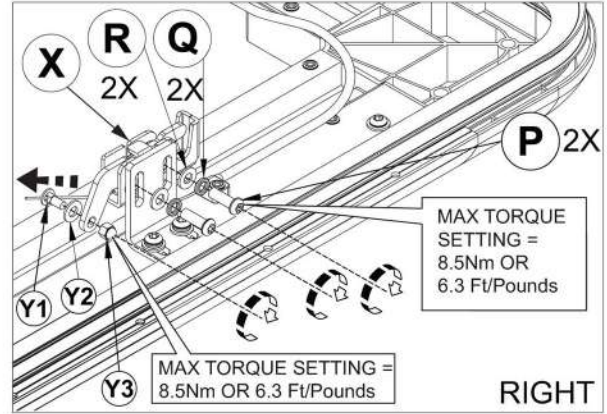
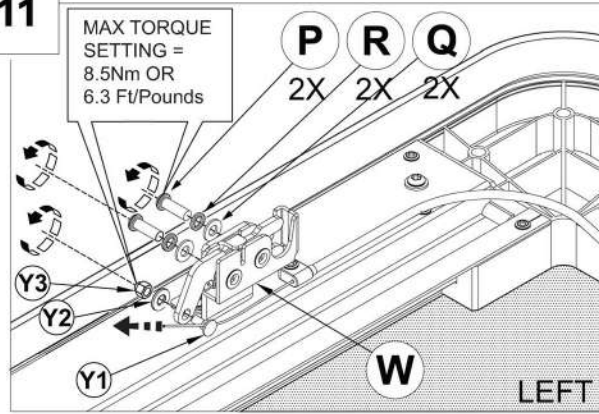
Vehicle Model	□	⊖	Σ
Toyota Hilux Revo 2016+ Double & Extra cab	40mm	40mm	-



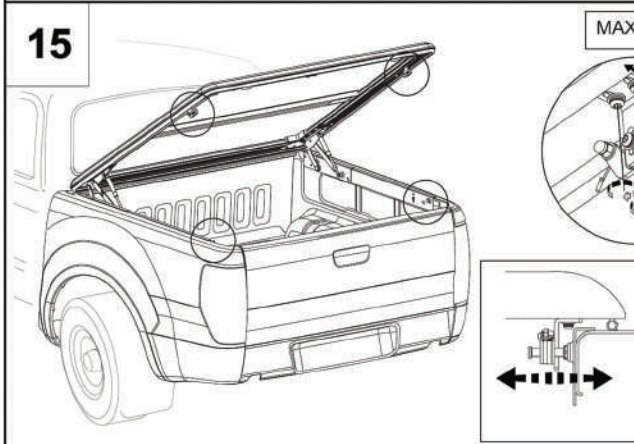
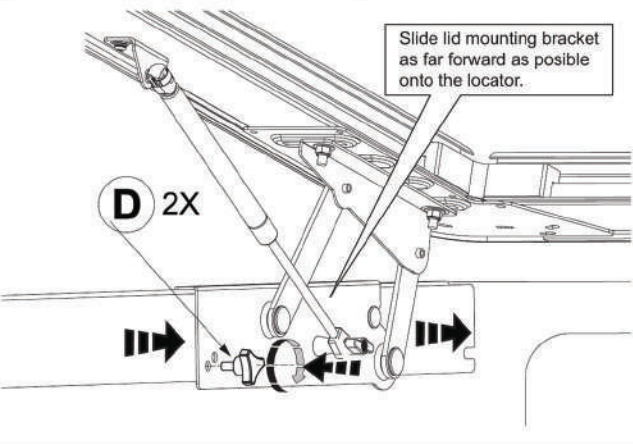
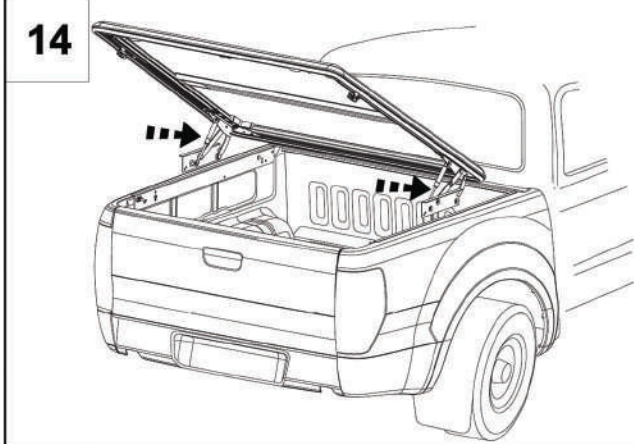
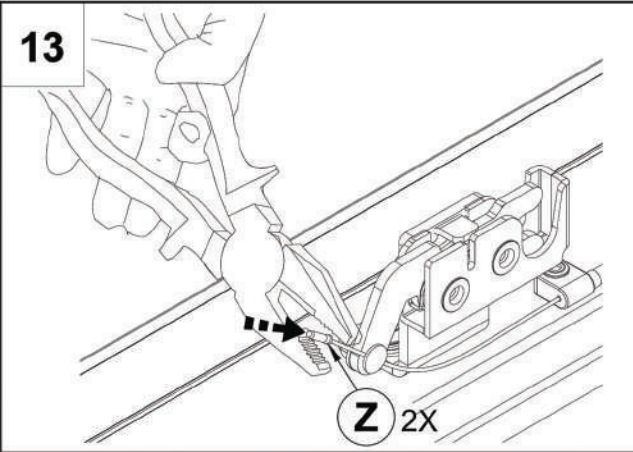
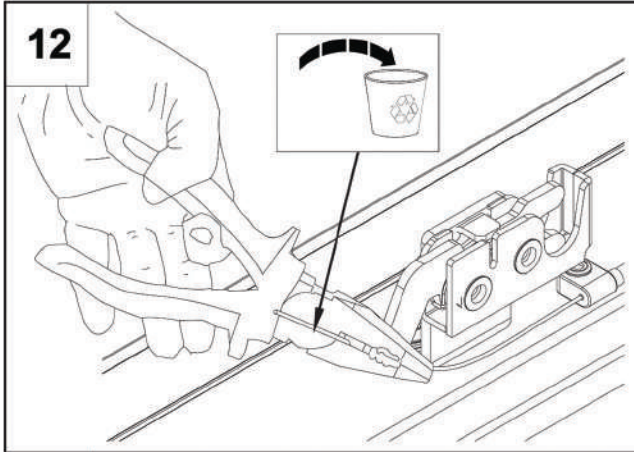
10



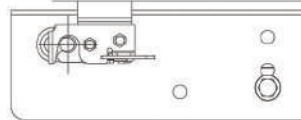
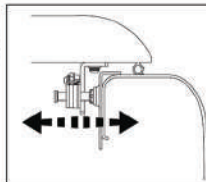
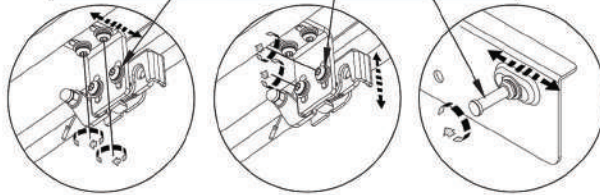
11



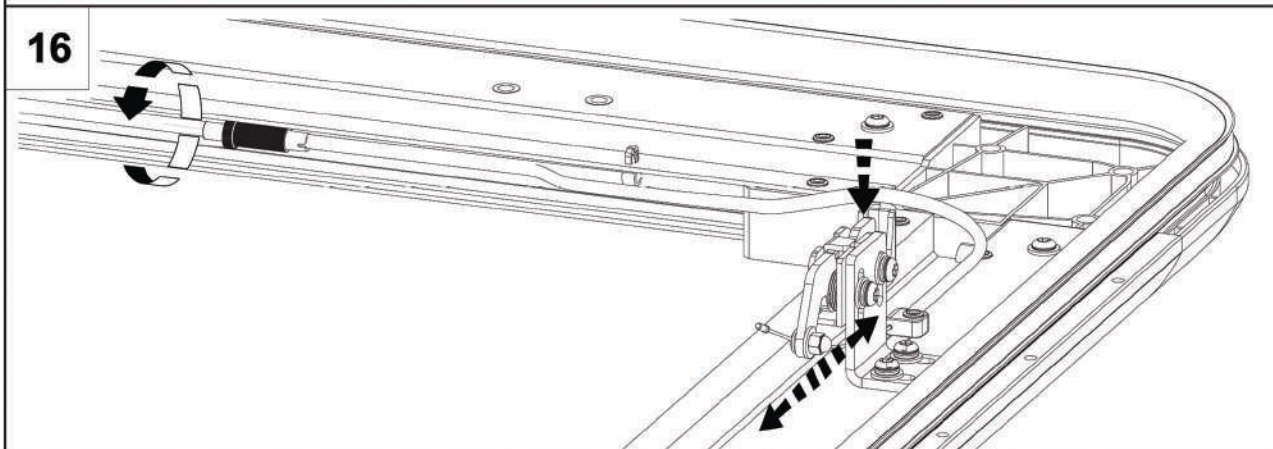
Fitting Kit Number	Product	Revision	Date	Page
K408	Upstone Lid	1	01.07.2016	4 of 7



MAX TORQUE SETTING = 8.5Nm OR 6.3 Ft/Pounds



Adjust latch bracket, latch height and pin location to align pin with centre of latch. Adjust cable tension to achieve correct latching. **IMPORTANT!** : Ensure seal contacts vehicle in all areas

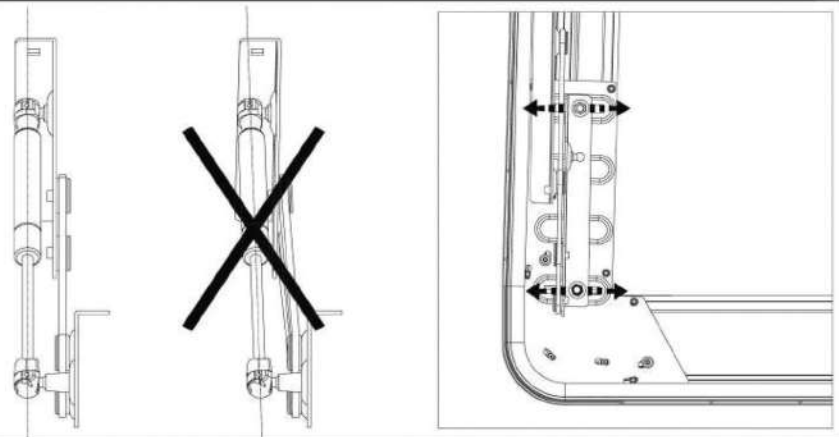


Fitting Kit Number	Product	Revision	Date	Page
K408	Upstone Lid	1	01.07.2016	5 of 7

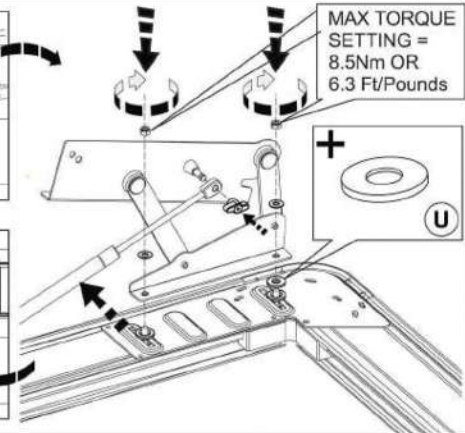
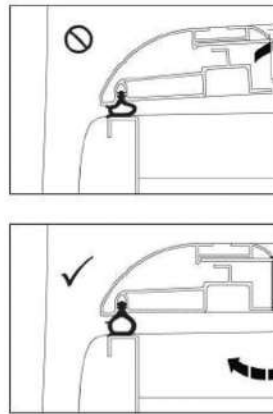
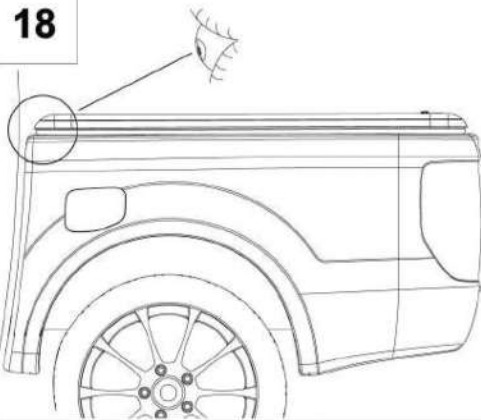
17



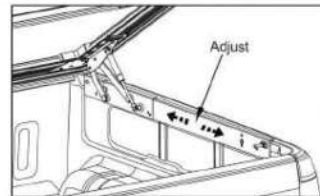
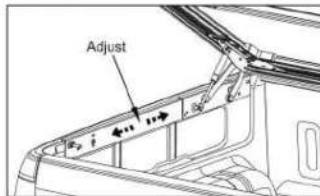
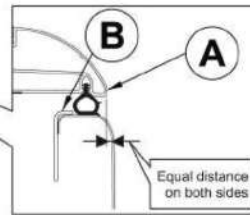
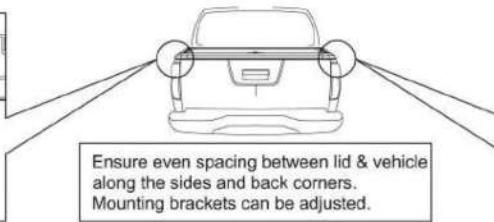
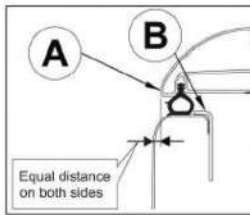
Insure hinge is not twisted.
Adjust connection to lid if necessary.



18



19



Fitting Kit Number

K408

Product

Upstone Lid

Revision

1

Date

13.03.2017

Page

6 of 7

After installation carefully and thoroughly clean all debris from the inside of the cargo box.
Retain these instructions for future reference



CAUTION!

- NEVER allow people or animals under the closed cover
- Do not place unsealed solvents or chemicals under the cover
- Do not stand or place heavy objects on the cover
- Do not open lid when under load.
- Close the cover before operating the vehicle
- Do not allow oil, solvents or chemicals to contact the cover
- Clean only with a mild detergent and water solution

Fitting Kit Number	Product	Revision	Date	Page
K408	Upstone Lid	1	13.03.2017	7 of 7

ISUZU
NISSAN NAVARA
TOYOTA HILUX
VOLKSWAGEN AMAROK



Item Code

Codice Articolo

Référence Article

: RUP/470/IX












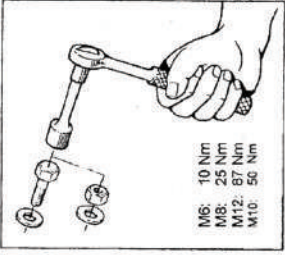
GB

STAINLESS STEEL
MEDIUM BAR

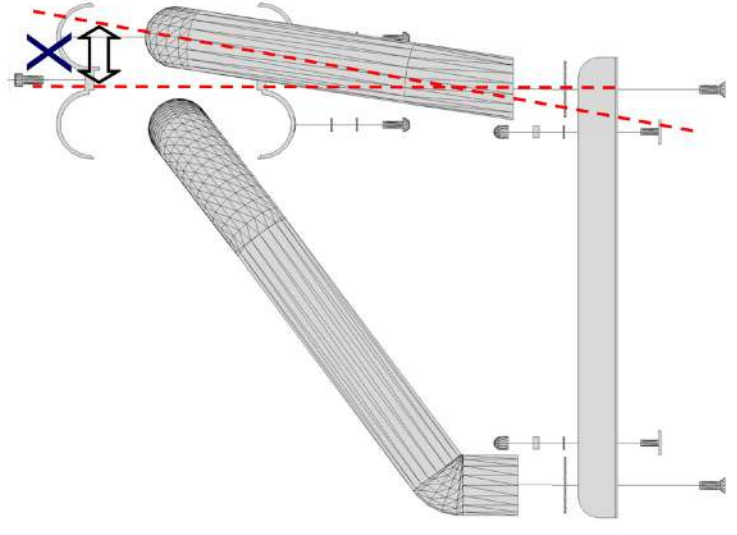
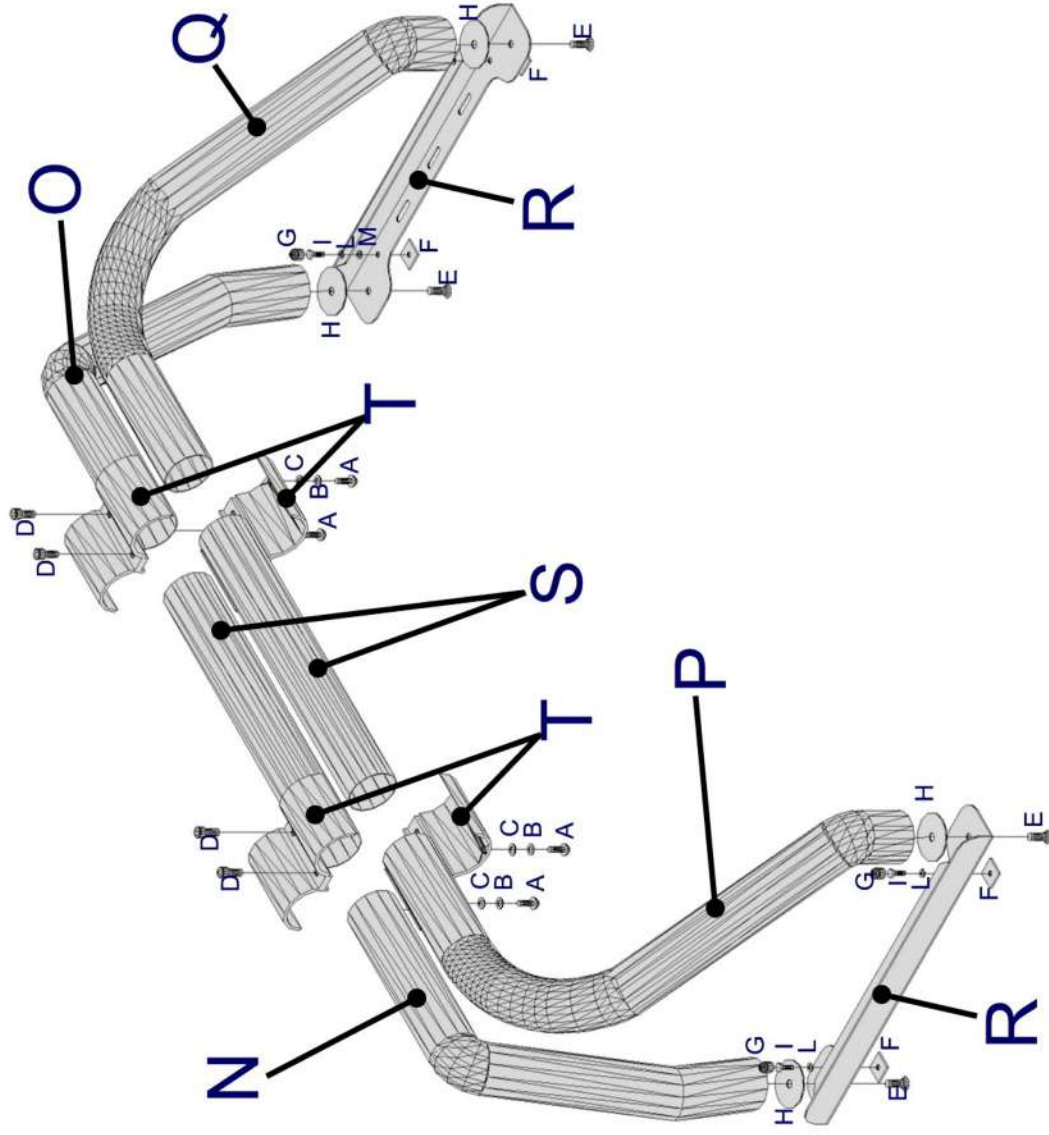
FR

MEDIUM BAR
EN ACCIER INOX

ISUZU, NISSAN NAVARA, TOYOTA HILUX, VOLKSWAGEN AMAROK

Part List						
Liste des pièces						
A	 TBCEI 8X25 x 4	 Ø 8 x 4	 C Ø 8 x 4	 D TCEI 10X25 x 4	 E TSPEI M10X25 x 4	
F	 M6 x 4	 G Cappelletti M 6 x 4	 H VIPLA Ø 80 x 4	 I TE 6X15 x 4	 L BIG Ø 6 GRAND x 4	
M	 Ø 6 x 4	N AS7/SX x1	O AS7/DX x1	P PS7/SX x1	Q PS7/DX x1	
R RLS/7TR x2	S RLB/06 x2	T RLB Ø76 x2				 <p>M6: 10 Nm M8: 25 Nm M12: 87 Nm M10: 50 Nm</p>

ISUZU, NISSAN NAVARA, TOYOTA HILUX, VOLKSWAGEN AMAROK



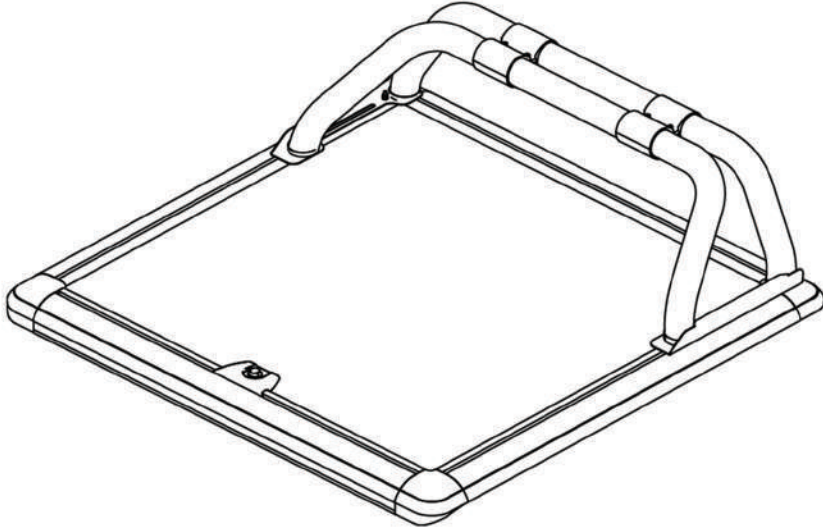
WARNING: fit the N and O front bends as shown in the drawing

ATTENTION: monter les curves anterieures N et O comme indique dans le dessin.

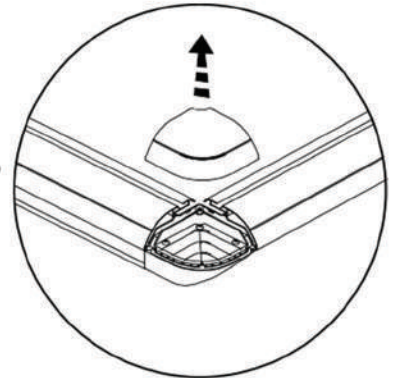
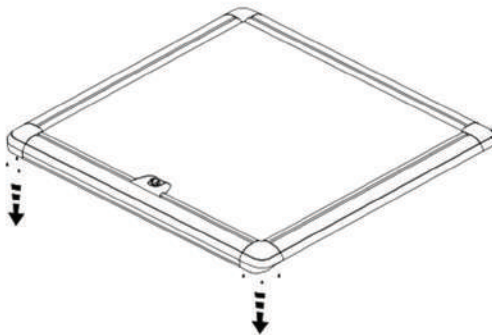
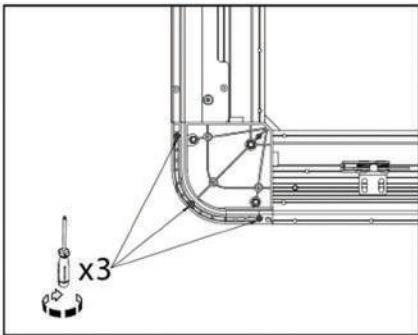
UpStoneEvolve

INSTALLATION INSTRUCTIONS WITH ROLL BAR

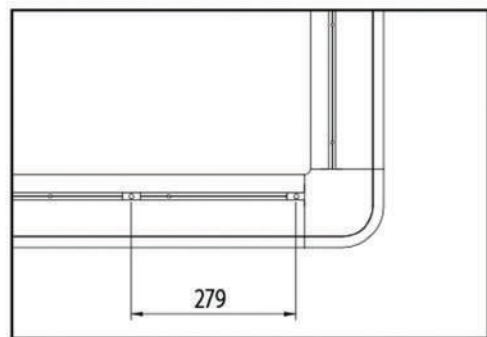
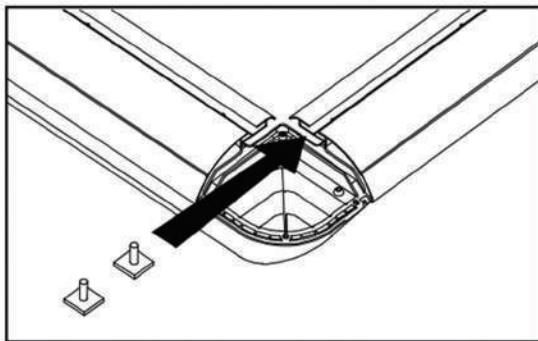
RLB76



- 1** Remove caps by unscrewing the 3 screws in the back corner both left and right.



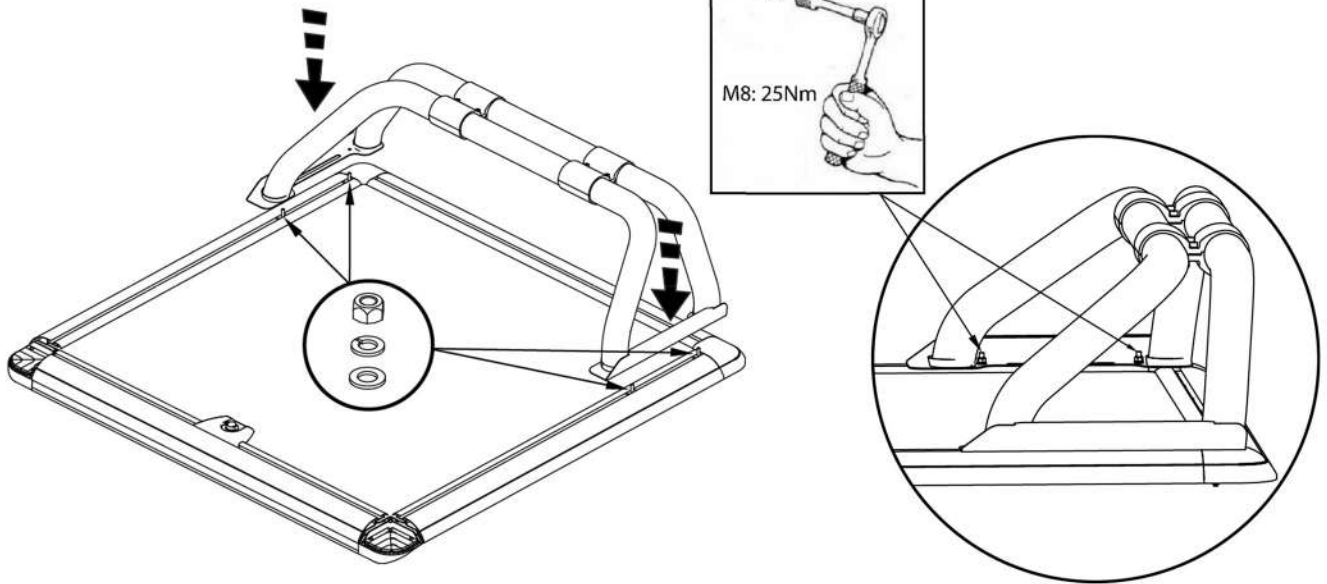
- 2** Insert 2 x Square bolts in both the left and right rails.



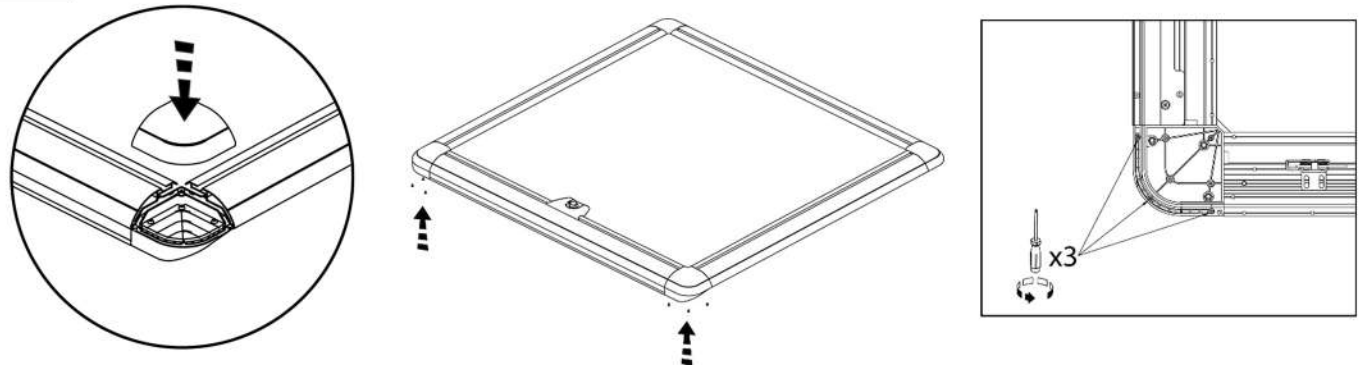
Fitting Kit Number	Product	Revision	Date	Page
RLB76F	Medium SS Bar	1	29.09.2017	1 of 2

3

Place the sport bar onto the cover aligning the holes on the foot plate with the square bolts inserts.
Fix with nut, spring washer and washer.

**4**

Replace the caps on the covers corners



Fitting Kit Number	Product	Revision	Date	Page
RLB76F	Medium SS Bar	1	29.09.2017	2 of 2

UpStoneEvolve

Info@upstone.fr